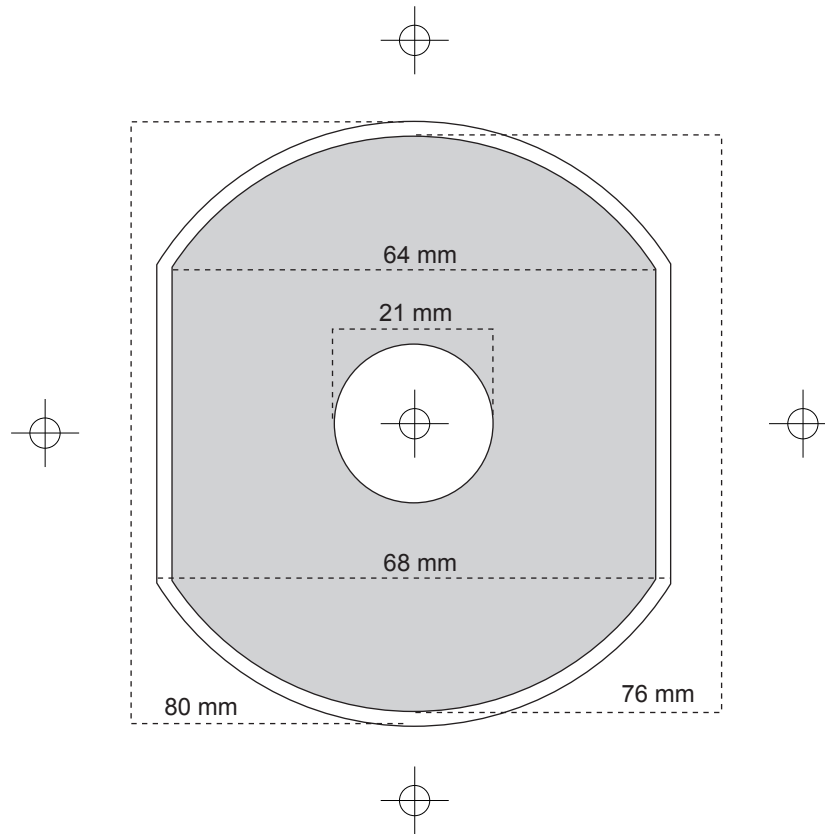


Template
Business Card 85 cm

Guidelines:

Files accepted in **Adobe Illustrator eps** format **only**.
 All **RGB** color must be converted to **CMYK**.
 All rasterized art must be a minimum of **300dpi**.
 GIFs, JPEGs and images inside a word processing program **cannot** be accepted
 Use **linked** images instead of embedded. Include all original **unflattened** Photoshop files.
 Type created in Photoshop should be rasterized.
 Fonts in Illustrator should be converted to outline.
 Type should be no smaller than 6 pt.
 Please include original fonts for Illustrator/Photoshop files in case of revisions.

 = Available copy area



Customer Name: _____	Date: _____
Job Name: _____	Job Number: _____
Address: _____	Phone Number: _____
Address: _____	Fax Number: _____
Colors: _____	Email: _____
Art File Names: _____	
Special Instructions: _____	